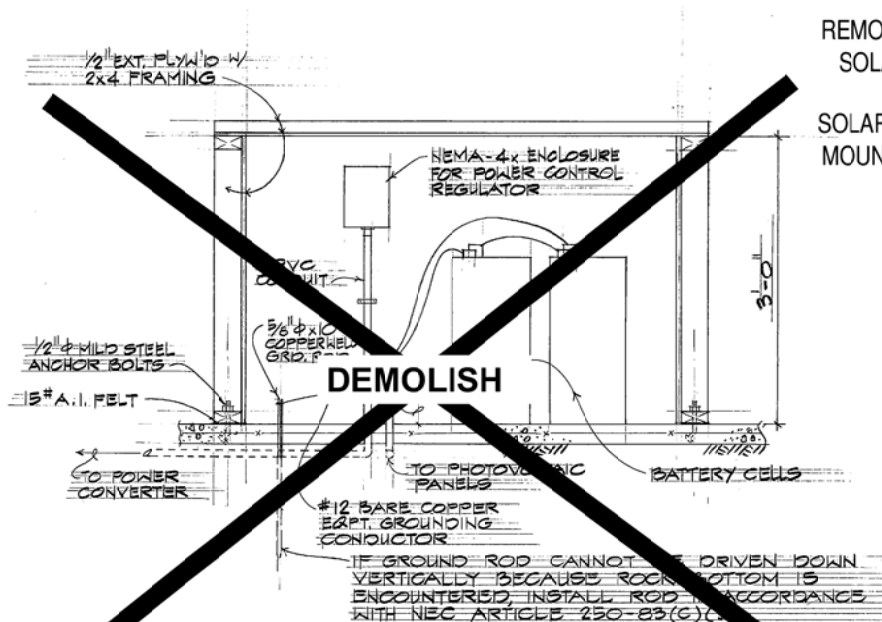
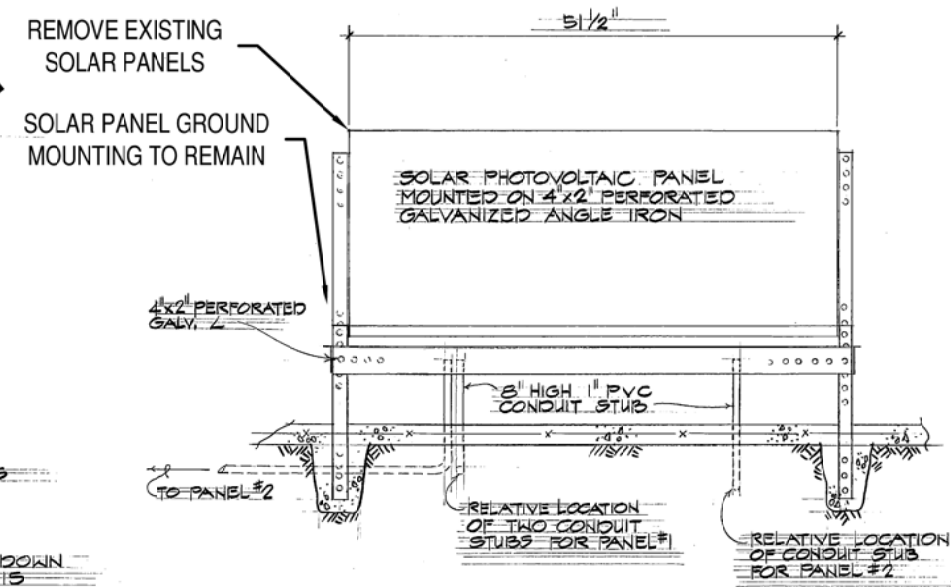


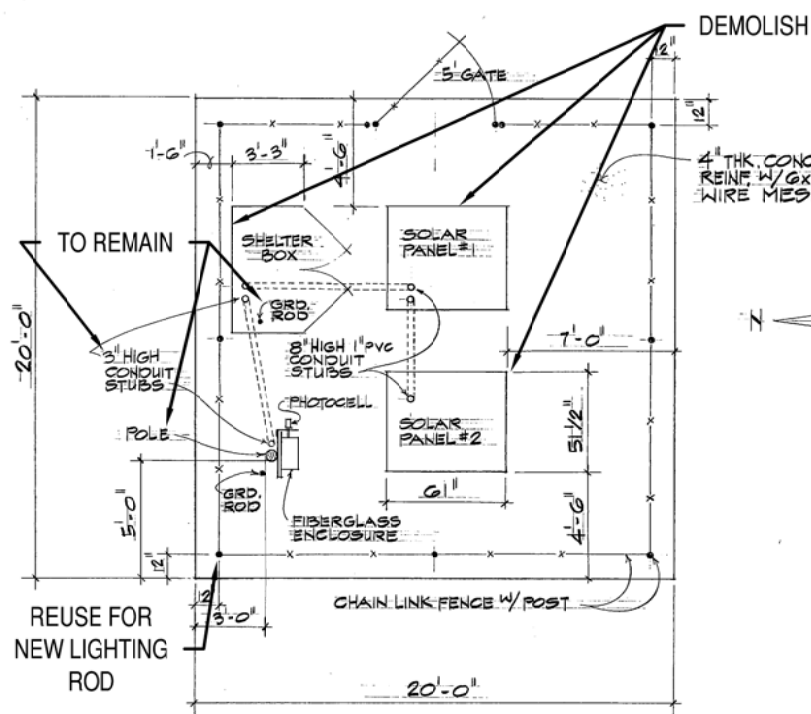
OBSTRUCTION LIGHT SITE ELEVATION
NOT TO SCALE



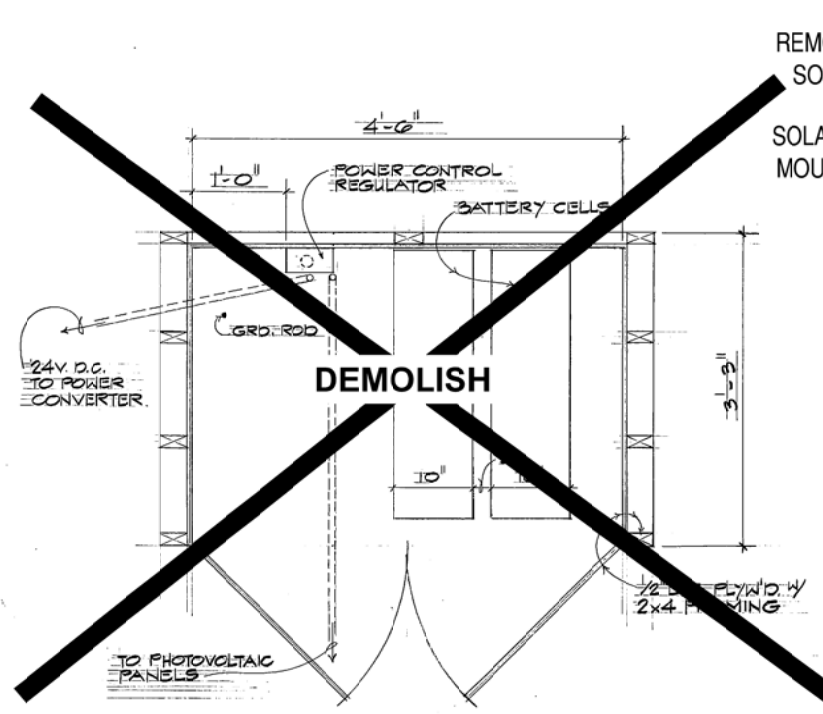
SHELTER BOX ELEVATION
NOT TO SCALE



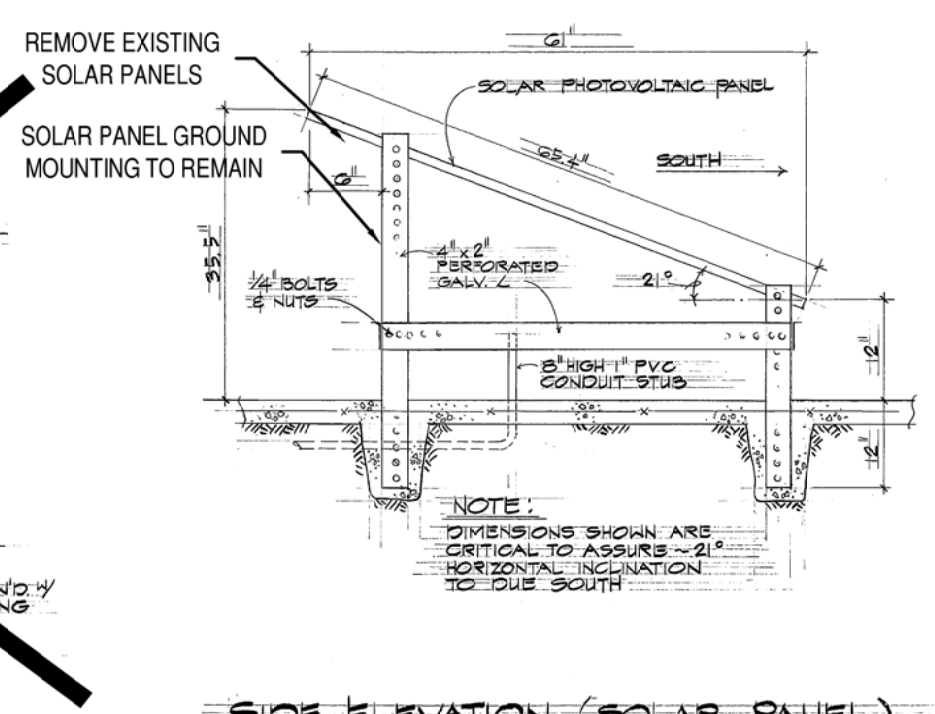
FRONT ELEVATION (SOLAR PANEL)
NOT TO SCALE



OBSTRUCTION LIGHT SITE PLAN
NOT TO SCALE



SHELTER BOX PLAN
NOT TO SCALE



SIDE ELEVATION (SOLAR PANEL)
NOT TO SCALE

NOT TO SCALE

NOTES:

DRAWINGS BASED OFF OF AS-BUILTS FOR PROJECT NO. DM2019-55 REPLACEMENT OF OBSTRUCTION LIGHTS AT WAIHEE AND WAIPUNA, MOLOKAI AIRPORT (FEB 1989)

MOLOKAI AIRPORT

Date :2/6/2019

EXHIBIT:

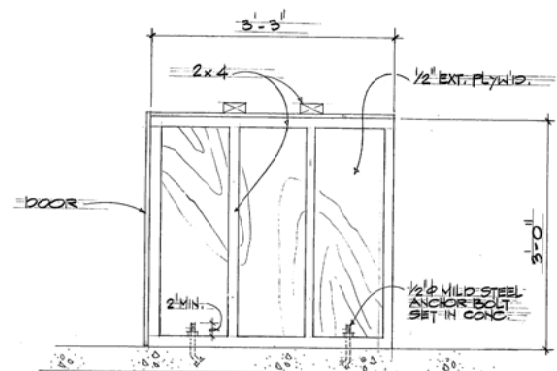


SITE LAYOUT

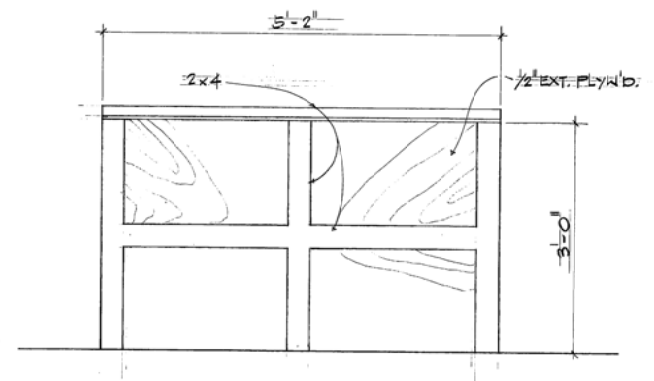
OBSTRUCTION LIGHT REPLACEMENT (TYPICAL)

A

SHT 1 OF 3

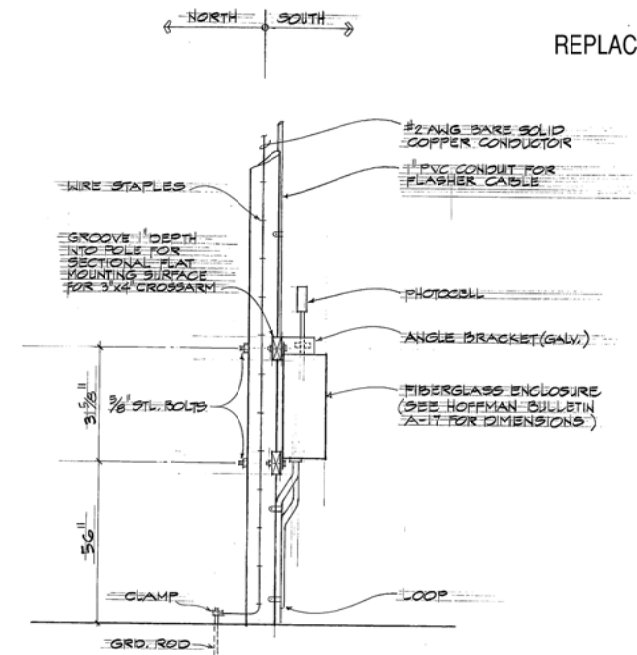


**SIDE VIEW
(LOOKING WEST)**

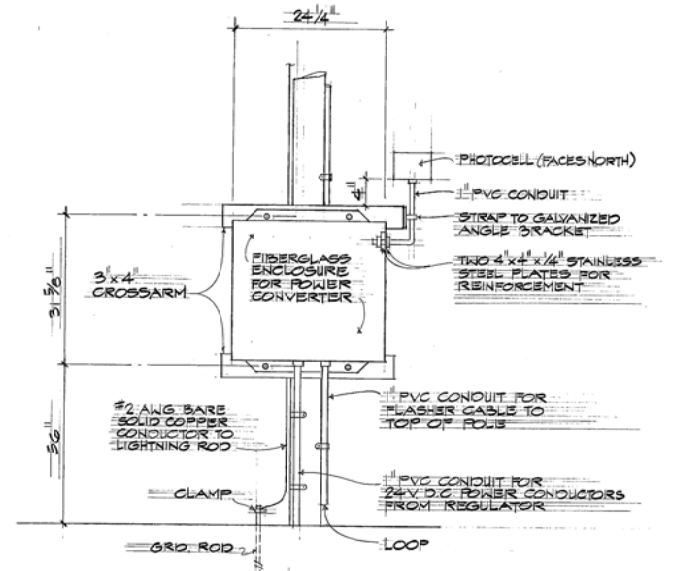


**BACK VIEW
(LOOKING SOUTH)**

**SHELTER BOX CONSTRUCTION
DETAILS NOT TO SCALE**

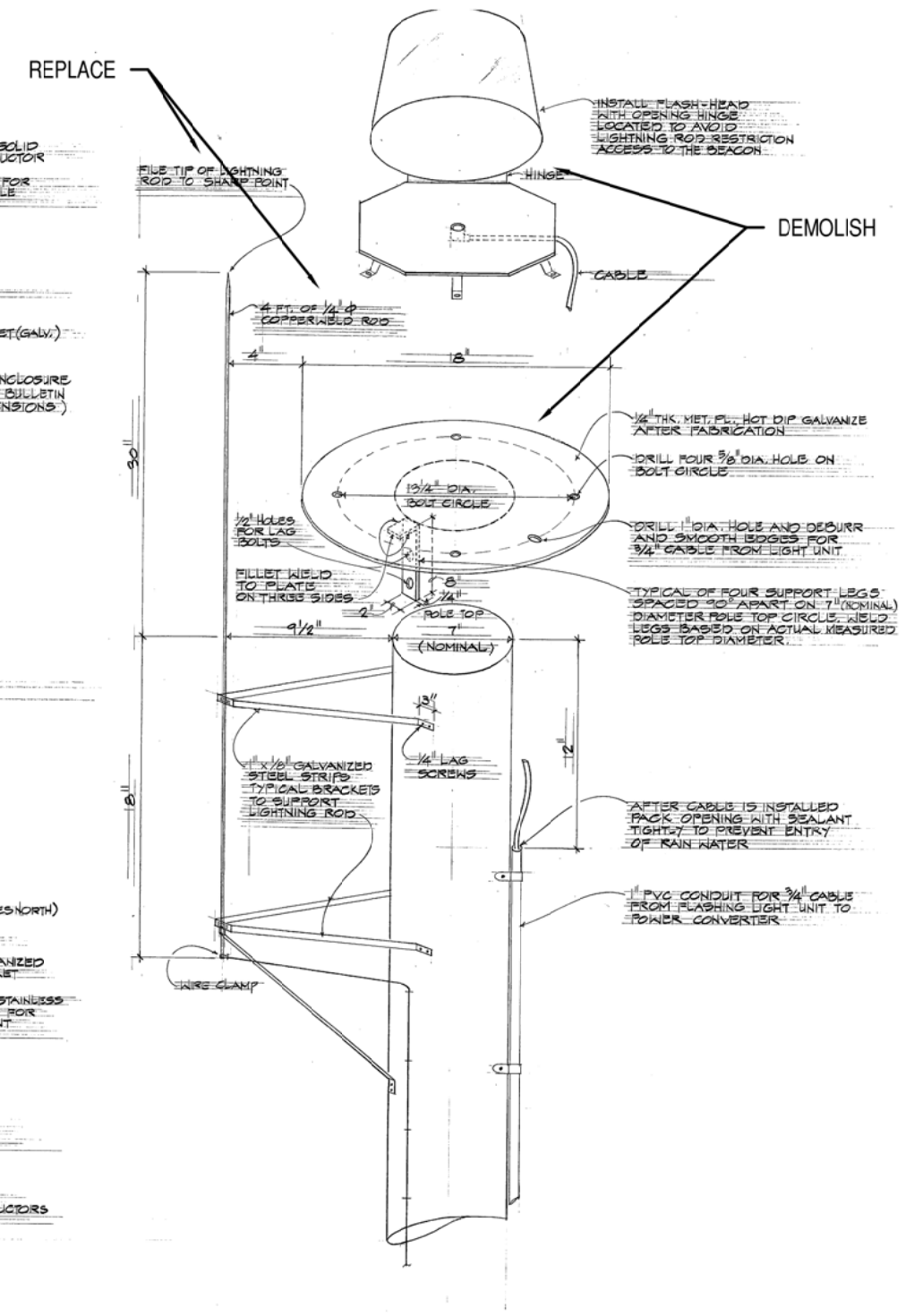


ELEVATION LOOKING EAST



ELEVATION LOOKING NORTH


**FIBERGLASS ENCLOSURE AND
PHOTOCELL INSTALLATION
DETAILS NOT TO SCALE**



**POLE TOP CONSTRUCTION DETAILS
NOT TO SCALE**

NOT TO SCALE

NOTES:
DRAWINGS BASED OFF OF AS-BUILTS FOR PROJECT NO. DM2019-55 REPLACEMENT OF OBSTRUCTION LIGHTS AT WAIHEE AND WAIPUNA, MOLOKAI AIRPORT (FEB 1989)

MOLOKAI AIRPORT		Date :2/6/2019	EXHIBIT:
 Airports Division	EXISTING CONDITIONS SITE DETAILS (FOR INFORMATION ONLY)	OBSTRUCTION LIGHT REPLACEMENT (TYPICAL)	A
	SHT 2 OF 3		

